

Point Of Sales - All In One POS

True flat, seamless zero bezel design, slim POS terminal, easy operation.





[Point of sales \(POS\) machines](#) are placed in retail or other scenarios to accept the payment.

[TouchDisplays 1561E](#) series Point of sale is a high-end product with proven technologies.

[Slim](#) POS is more lighter and thinner, top performance powered by powerful fanless processors and capacitive touch screens.

A wide range of processors options and full compatibility with multiple accessories, make it able to [adapt to all applications](#).



FEATURE

- Seamless zero-bezel and true flat design
- Fanless, Waterproof and Dustproof
- Highperformance CPU
- Adjustable 90 degree angle
- Support ODM&OEM, 3 years warranty standard
- Multiple I/O for connect with the Peripherals
- Optional high brightness 1000 nits for outdoor

The Best Viewing

For different staff, the visual angle also different, we've been focusing on this problem, TouchDisplays POS choose the elegant screen, it can be angled up to 90 degrees for easy viewing, best position for operating.



Front True Flat And Slim POS

Models available with a seamless zero-bezel design, the Touchdisplays choose the true flat screen, uninterrupted surface area, give you the best viewing, make it easy to clean. Such sleek and elegant POS to be the face of your business.



Waterproof & Dustproof

Default IP 64 for front panel, protecting screens and inside key components against water spilling and dust. Thus it's competent for retail, grocery or restaurant with extreme operating environments.

Excellent Hidden Cable Management

The POS are required to be connected with a range of peripherals, like printer, cash box etc. Which always makes your desktop messy. TouchDisplays is working on this issue. Manage all cables orderly hidden inside the POS, keeping your cashier's desktop neat.

Highperformance CPU, HDD and SSD

A high-performance CPU and large memory, up to 8 GB, are combined to provide excellent performance and smooth operation, For mass storage you can choose between HDD and SSD. A powerful and complete retail solution designed for a broad range of deployment scenarios that manage your retail business, win more customers for you.

Optional Processors

Intel Core i7-4500U, up to i7-7500U.

Intel Core i5-4200U, up to i5-7200U.

Intel Core i3-4010U, up to i3-7100U.

Intel Celeron J1900.

Android:

Rk3288, Rk3399 operation System: From 5.1 to 7.1



220cd/m²

1000cd/m²



High Brightness

The standard brightness 220 nits, up to 1000 nits optional, to fit the outdoor environment, make it possible to work in the sunlight.

* Support up to High Brightness 1000cd/m²

Interface

As the point of sales, it's required to be connected with many peripherals, like printer, cash drawer, etc. Our POS system will streamline your business operations in this field, using the latest developed multiple I/O technology, including USB ports, Rs232, Rj45 ports and more, make it connect to multiple devices flexibly, giving users full new experience.



3 Years Warranty

Production lifecycle service and support. A three-year limited warranty (except 1 year for LCD panel) comes standard, also support longer warranty if you need, 4 years or 5 years (additionally warranty charge) to fit your needs. Also support convenient, consistent service that helps you run your entire business. With stringent manufacturing standards, ensure it works 24 hours dependable operation.

PORTRAIT ORIENTATION VERTICAL POS ALL IN ONE



Such sleek vertical POS helps you run your entire business. This 15.6 inch vertical POS is designed by our professional team with our patent, it gives you the most unique perspective and full new experience ,and vertical screen saves a lot space for you, what we do is design the elegant POS all in one for our customer, make you face your customer, with confidence.

APPLICATION



Catering

- Hotel
- Restaurant
- Fast-food Restaurant
- Coffee Shop
- Bakery and Cake Shop

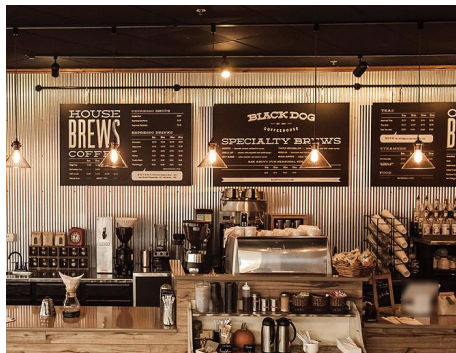


Retailer

- Business Street
- Boutique
- Department Store
- Cosmetics Shop
- High-class Barbershop

Recreation

- Sauna
- Spa
- Night Club
- Theme Park, Cinema
- Casino
- Lottery Ticket
- Cinema



SPECIFICATION

Model	1561E-IDT	
Case/Bezel Color	Black/Silvery/white(Customized)	
Display Size	15.6"	
Touch panel	Projected Capacitive touch screen	
Touch response time	8ms	
Touch computers Dimensions	391.6 x 201.1 x 318 mm	
LCD Type	TFT LCD(LED backlight)	
Useful Screen Area	345.5 mm x 195 mm	
Aspect ratio	16:9	
Optimal (native) Resolution	1920 x 1080	
LCD panel Pixel pitch	0.17925 x 0.17925 mm	
LCD panel Colors	6bit Hi-FRC	
LCD panel Brightness	250 cd/m ²	
LCD panel Response Time	25 ms	
Viewing Angle	Horizontal	±85° or 170° total (left/right)
(typical, from center)	Vertical	±85° or 170° total (up/down)
Contrast Ratio	500:1	
Input interface	Mini D-Sub 15-Pin VGA type and HDMI type USB 2.0*2 & USB 3.0*2 & 2*COM(3*COM optional) 1*Earphone1*Mic1(2*RJ45 optional)	
Extend interface	usb2.0*2\com*2\1*PLT2*PCI-E(4G SIM card, wifi 2.4G&5G & Bluetooth module optional) Monitor input: +12V DC ±5%,5.0 A; DC Jack (2.5) Power Consumption: Less than 40W	
Power Supply Type	AC to DC power brick input: 90-240 VAC, 50/60 Hz Power Consumption: Less than 40W	
ECM(Embed Computer Module)	ECM3: Intel processor J1900 (Quad-core 2.0GHz/2.4GHz,Fanless) ECM4: Intel processor i3-4030U (Dual Core 1.9GHz,Fanless) ECM5: Intel processor i5-4200U (Dual Core 1.6GHz/2.6GHz Turbo, Fanless) ECM6: Intel processor i7-4510U (Dual Core 2.0GHz/3.1GHz Turbo, Fanless) CPU Upgrade:3855U or 3865U & I3-I7 series 5 th \6 th \7 th optional SATA3:HDD 500G(up to 2TB optional);Msata SDD 60G (up to 960G optional) Memory: DDR3 1600 4G(extend up to 12G Optional); ECM8: RK3288 Cortex-A17 quad-core 1.8G, GPU:Mali-T764;Operation System: 5.1 or 7.1 ECM10:RK3399 Cortex-A72+Cortex-A53 6-Core 2GHz;GPU:Mail-T860MP4;Operation System: 7.1 Rom:2G(up to 4G optional);Flash:8G(up to 32G optional, RK3399 solution standard flash is 16G);	
Temperature	Operating: 0°C to 40°C ;Storage -20°C to 60°C	
Humidity (non-condensing)	Operating: 20%-80%; Storage: 10%-90%	
Shipping Carton Dimensions	450 x 280 x 470 mm(with stand) ;	
Weight (approx.)	Actual: 5.2 kg ;Shipping: 7.6 kg	
Warranty Monitor	3 years(Except for LCD panel 1 year) Backlight lamp life: typical 50,000 hours to half brightness	
Agency Approvals	CE/FCC RoHS (UL & GS customized)	
Mounting Options	75 mm and 100mm VESA mount	

OPTIONAL



Second Display



VFD



Scanner



Card Reader

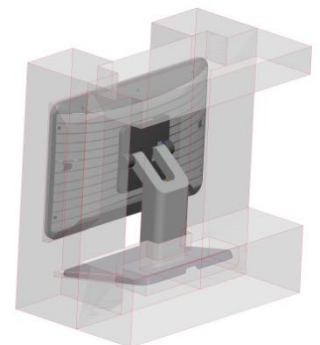
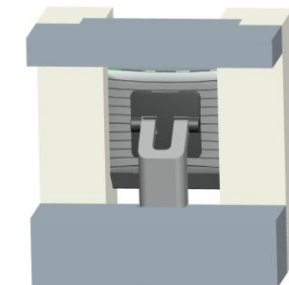
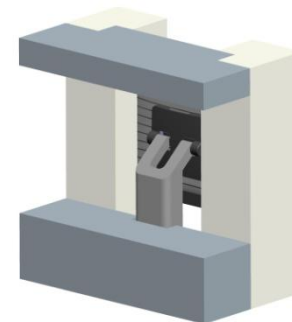


Printer



Cash Drawer

PACKING DESIGN



**TOUCH
DISPLAYS**

•Scan me to know more