

1561E 15.6" Touch POS Computers

PRODUCT OVERVIEW

Features

- Small footprint, retail-hardened, flexible touchcomputer
- Support second display monitor or VFD extend
- Removable base and VESA mounting option
- Front bezel be sealed IP64 optional
- Fashion slim design
- RFID & NFC & iButton function optional
- Excellent cable management and adapter hidden from view
- Full range of standard connectivity ports for retail POS and hospitality applications
- Projected capacitive multi-touch technology Optional
- LED Backlight for power save
- Zero-bezel screen
- Mounting holes on base bottom for tabletop security
- Optional ergonomic 3 stripe MSR available
- The most economical choice for business

Applications

- Countertop kiosk information systems
- Gaming and amusement
- Home Control
- Point-of-sale (POS)
- Point of information
- Light Industrial

Accessories

- Power Cord (US, EU or UK type)
- Power Brick (12V 5A)
- User Manual



1561E 15.6" Touch POS Computers

SPECIFICATION

Model	1561E-IDT	
Case/Bezel Color	Black/Silvery/white(Customized)	
Display Size	15.6"	
Touch panel	Projected Capacitive touch screen	
Touch response time	8ms	
Touchcomputors Dimensions	391.6 x 201.1 x 318 mm	
LCD Type	TFT LCD(LED backlight)	
Useful Screen Area	345.5 mm x 195 mm	
Aspect ratio	16:9	
Optimal (native) Resolution	1920 x 1080	
LCD panel Pixel pitch	0.17925 x 0.17925 mm	
LCD panel Colors	6bit Hi-FRC	
LCD panel Brightness	250 cd/m2	
LCD panel Response Time	25 ms	
Viewing Angle	Horizontal	±85° or 170° total
(typical, from center)	Vertical	±85° or 170° total
Contrast Ratio	500:1	
output Video connector	Mini D-Sub 15-Pin VGA type and HDMI type	
Input interface	usb 2.0*2 & usb 3.0*2 & 2*COM(3*COM optional) 1*Earphone\1*Mic\1*RJ45(2*RJ45 optional)	
Extend interface	usb2.0*2\com*2\1*PLT\2*PCI-E(4G SIM card, 2.4G&5G wifi & Bluetooth module optional)	
Power Supply Type	Monitor input: +12V DC ±5%,5.0 A; DC Jack (2.5Φ) AC to DC power brick input: 90-240 VAC, 50/60 Hz Power Consumption: Less than 40W	
ECM (Embed Computer Modul)	ECM2: Intel processor J1800 (Dual Core 2.41GHz,Fanless) ECM3: Intel processor J1900 (Quad-core 2.0GHz/2.4GHz,Fanless) ECM4: Intel processor i3-4010U (Dual Core 1.7GHz,Fanless) ECM5: Intel processor i5-4200U (Dual Core 1.6GHz/2.6GHz Turbo, Fanless) ECM6: Intel processor i7-4500U (Dual Core 1.8GHz/3GHz Turbo, Fanless) CPU Upgrade: 3855U & I3-I7 series 5 th \6 th \7 th optional SATA3: HDD 500G(up to 2TB optional);SDD 32G(up to 480G optional) Memory: DDR3 1600 4G(extend up to 12G Optional); ECM8: RK3288 Cortex-A17 quad-core 1.8G, GPU:Mali-T764;Operation System: 5.1 ECM9: RK3368 Cortex-A53 8Core 1.5GHz;GPU:PowerVR G6110;Operation System: 6.0 ECM10: RK3399 Cortex-A72+Cortex-A53 6-Core 2GHz;GPU:Mail-T860MP4;Operation System: 7.1 Rom: 2G(up to 4G optional); Flash: 8G(up to 32G optional, RK3399 solution standard flash is 16G);	
Temperature	Operating: 0°C to 40°C ;Storage -20°C to 60°C	
Humidity (non condensing)	Operating: 20%-80%; Storage: 10%-90%	
Shipping Carton Dimensions	450 x 280 x 470 mm(with stand) ; 470 x 210 x 420 mm(without stand, 2 PCS set in 1 box)	
Weight (approx.)	Actual: 6.8 kg ;Shipping: 8.2 kg	
Warranty Monitor	3 years(Except for LCD panel 1 year) Backlight lamp life: typical 50,000 hours to half brightness	
Agency Approvals	CE/FCC RoHS (UL & GS customized)	
Mounting Options	75 mm and 100mm VESA mount	

1561E 15.6" Touch POS Computers

SPECIFICATION

Optional 1:

Second Display Monitor	1010E-DM	1331E-DM
Case/Bezel Color	Black/Silvery/white(Customized)	
Display Size	10.1"	13.3"
Style	True Flat	True Flat
Monitor Dimensions	271.8mm x 20.1mm x 174mm	338.4mm x 35.1mm x 207.8mm
LCD Type	TFT LCD(LED backlight)	TFT LCD(LED backlight)
Useful Screen Area	216.96 mm x 135.6 mm	293.76mm x 165.24 mm
Aspect ratio	16:10	16:9
Optimal (native) Resolution	1280 x 800	1920 x 1080
LCD panel Pixel pitch	0.1695 x 0.1695 mm	0.153 x 0.253 mm
LCD panel Colors arrangement	RGB-Stripe	RGB-Stripe
LCD panel Brightness	330 cd/m2	300 cd/m2
Contrast Ratio	600:1	800:1
LCD panel Response Time	25 ms	30 ms
Viewing Angle	Horizontal (left/right)	±80° or 160° total
(typical,from center)	Vertical (up/down)	±80° or 160° total total
Power Consumption	≤4W	≤4W
Backlight lamp life	Min. 15,000 hours	Min. 15,000 hours
input Video signal connector	Mini D-Sub 15-Pin VGA type	
Temperature	Operating: -0°C to 50°C ;Storage -20°C to 70°C	
Humidity (non condensing)	Operating: 20%-80%; Storage: 10%-90%	
Weight (approx.)	Actual: 1 kg ;	
Warranty Monitor	3 year(Except for LCD panel 1 year)	
Agency Approvals	CE\FCC\RoHS(GS & UL for customized)	
Mounting Options	100 mm X100 mm VESA mount	

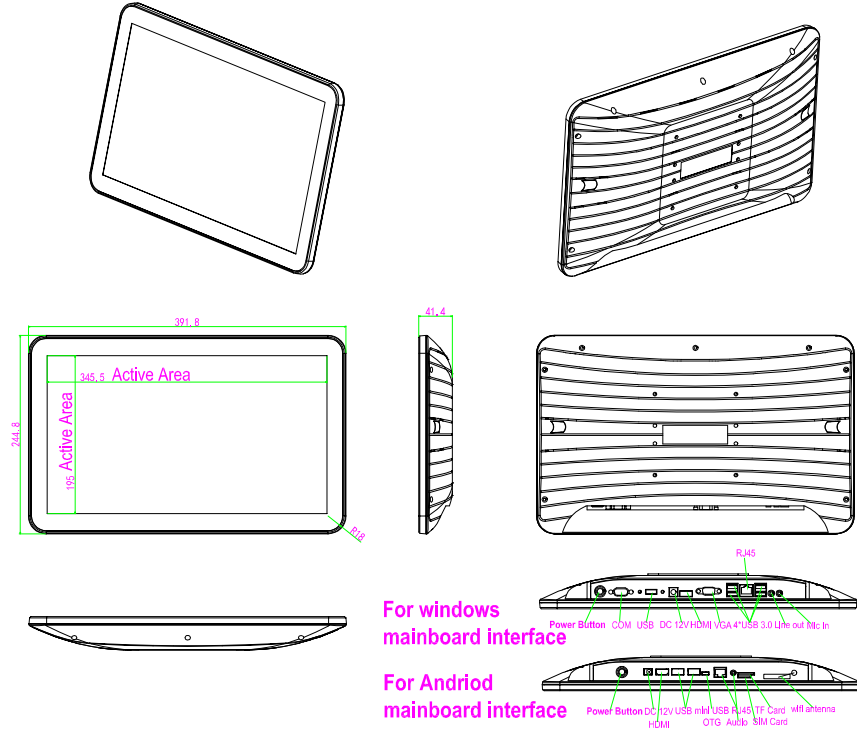
Optional 2:

VFD	VFD220EU
Case/Bezel Color	Black/Silvery/white(Customized)
Display method	Vacuum Fluorescent Display Blue Green
Number of Characters	20 x 2 for 5 x 7 dot matrix
Brightness	350~700 cd/m2
Character Font	95 Alphanumeric & 32 International Characters
Interface	RS232/USB
Character Size	5.25(W) x 9.3(H)
Dot Size(X*Y)	0.85* 1.05 mm
Dimension	230*32*90 mm
Power	5V DC
Command	CD5220, EPSON POS, Aedex, UTC/S, UTC/E, ADM788, DSP800, EMAX, LOGIC
Language (0x20-0x7F)	U.S.A,FRANCE, GERMANY, U.K, DENMARKI,DENMARKII,SWEDEN, ITALY, SPAIN, JAPAN,NORWAY, SLAVONIC, RUSSIA
Warranty Monitor	2 year

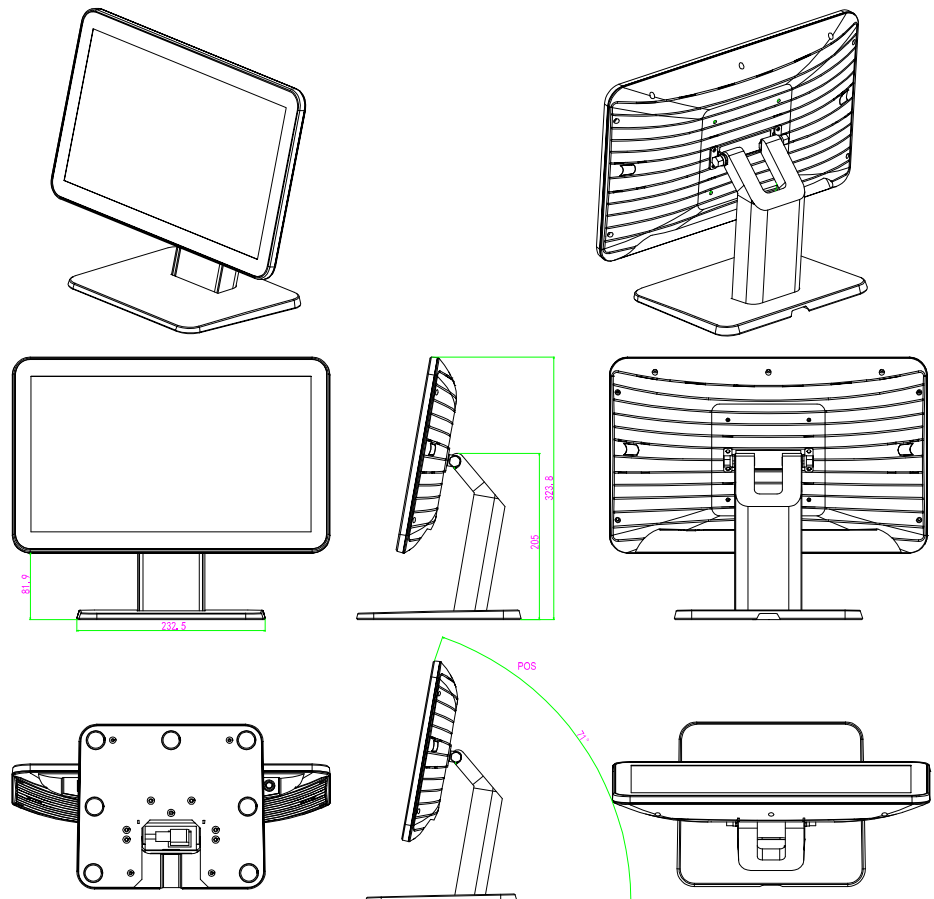
1561E 15.6" Touch POS Computers

DRAWINGS

Touch POS Without Stand



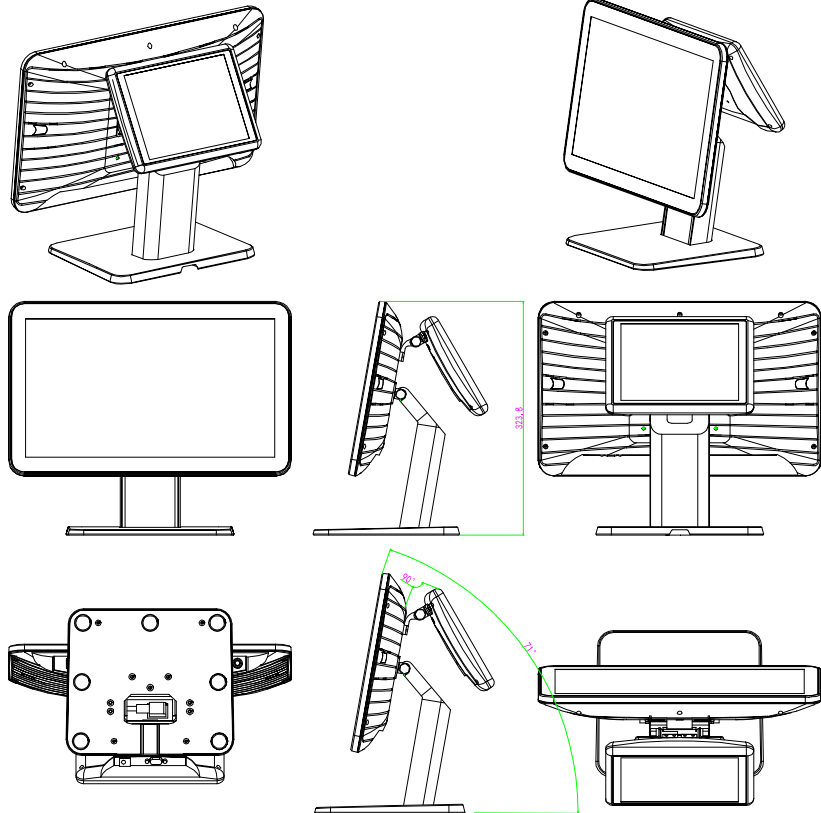
Touch POS With Stand



1561E 15.6" Touch POS Computers

DRAWINGS

Optional 1: Second Display



Optional 2: VFD

